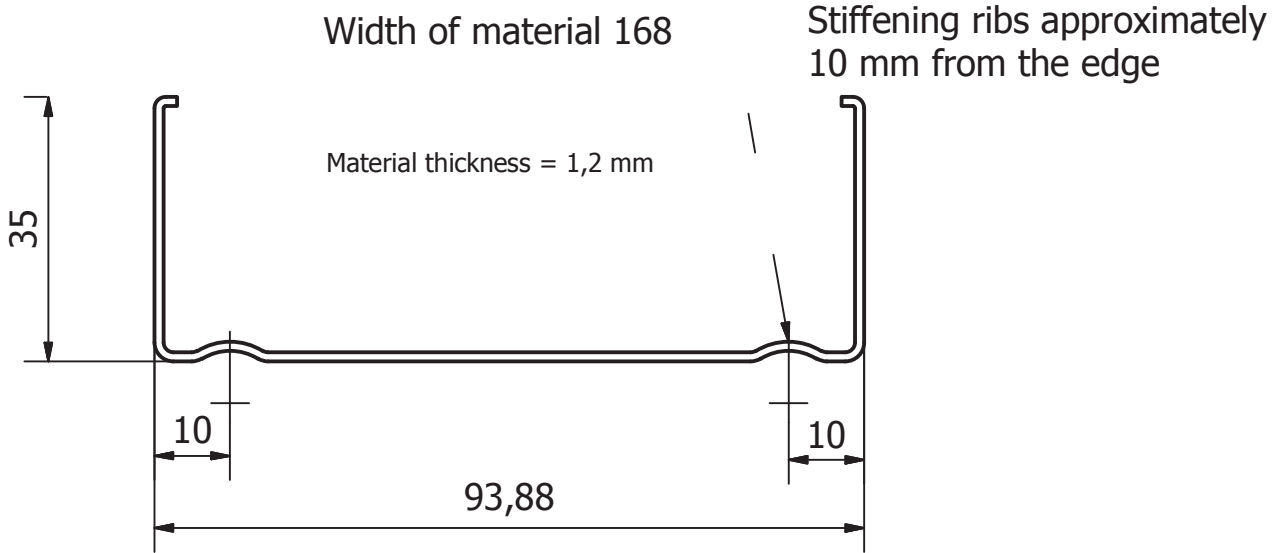


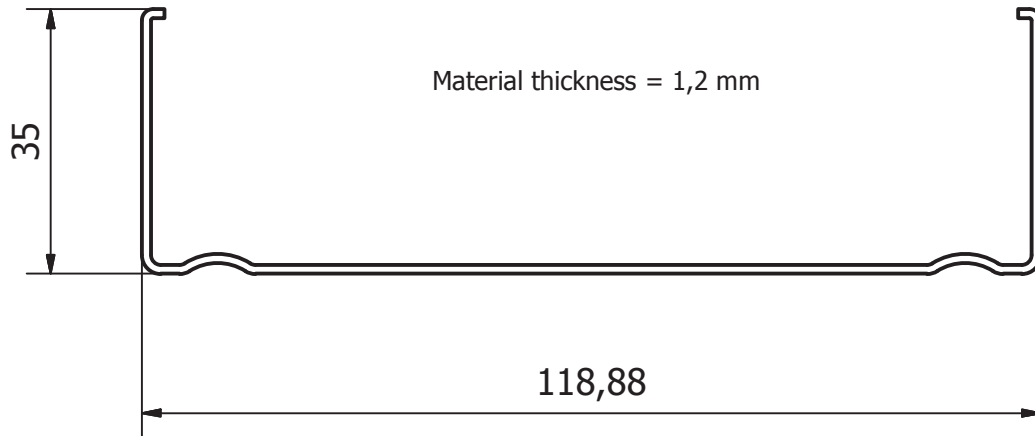
1:1

# Reinforcement Studs Profile

All dimensions are in mm



Width of material 193



Width of material 223

