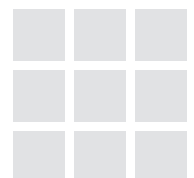


## REFRIGERATION DOOR KH-1010(V)



Door leaf constructed of a core of 100mm insulation material, covered on both sides with polyester and finished all round with anodized aluminium profiles, thermal bridge-free. Equipped with an aluminium drop/lift rail system.

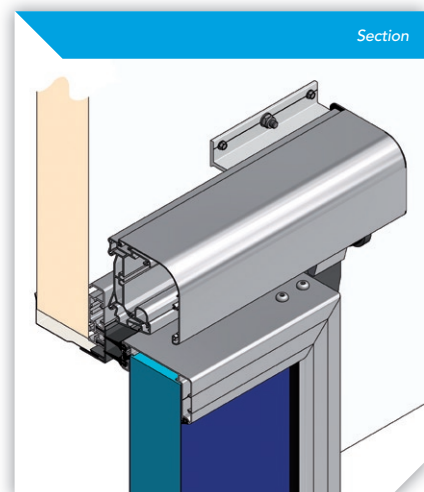
- Easy to operate. Due to the polyester which makes the doors light.
- Both horizontally and vertically available, and also in very large sizes. Manually or electrically operated.
- Double-door version available. If electrically operated, very high opening speeds are achievable.
- Slight damage to the polyester top can be easily touched-up.
- Deliverable in kit form excluding door leaf. Easy to transport and favourably priced.
- Deliverable in a 60 minute fire resistant version.
- Special stainless steel version possible.




## REFRIGERATION DOOR KH-1010(V)



### Technical specifications refrigeration door type KH-1010 (horizontal) and KH-1010V (vertical)

- Construction** : door leaf constructed of a core of insulation material, covered on both sides with 1,5mm impact-resistant glass-fibre reinforced foodsafe polyester.
- Thickness door leaf** : 100mm.
- R-value** : approx. 3,7 (m<sup>2</sup>.K/W).
- Framing** : anodized aluminium profiles, thermal bridge-free.
- Colour of door leaf** : standard colours RAL 6010 (green), RAL 9016 (white) or RAL 5005 (blue). Door leaf finished in colour to be specified at additional price.
- Sealing** : all round by means of rubber profiles.
- Door frame** : anodized aluminium profiles with a complete thermal bridge-free fit to the wall.
- Rail system** : anodized aluminium drop/lift rail system type SRA with dust cap (horizontal), galvanized guiding system (vertical).
- Operation** : manually operated (horizontal), chain operated (vertical). Electrical operation at additional price.
- Openers** : inside and outside opener included (horizontal).
- Locks** : not included. Available at additional price.
- Additional options** : door leaf constructed of steel sandwich panels in standard colour RAL 9002 (light grey), double-door version, special stainless steel version (see stainless steel documentation), bumper, threshold, finish of the clear opening, rain cap and more. Also available in kit form (see separate documentation).



**SALCO** 

 Korenmarkt 4  
NL-1681 PB Zwaagdijk-Oost

 (31) (0)228 564 200  
 (31) (0)228 564 232

 info@salco.nl  
 www.salco.nl